



AdaptaBeacon® Steady-On Lights with Horn

PLC Compatible

51SIN Series

FEATURES

- > Weatherproof
- > Internal, base mounted horn rated at 85 dB at 10 feet (3.05 m)
- > Cast base can be utilized as a junction box

AGENCY APPROVALS

- > AC models UL 1638 Listed
- > AC models cUL Listed

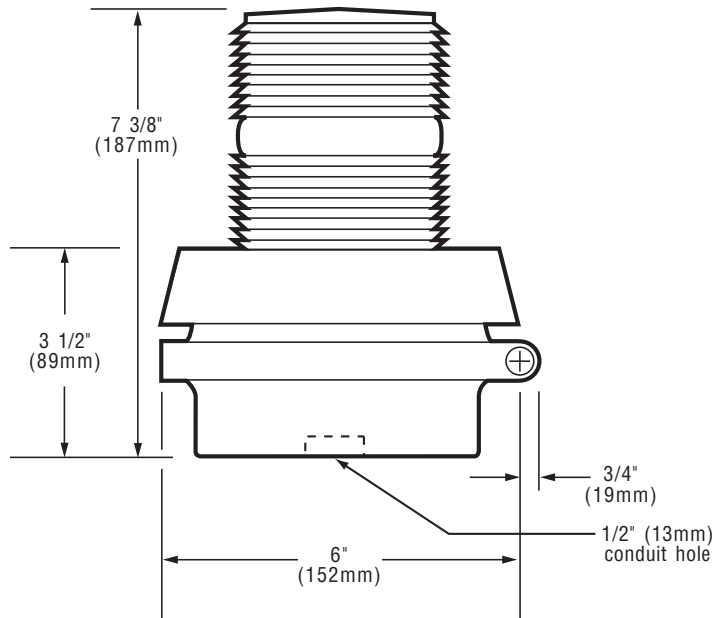
The Edwards 51SIN Series AdaptaBeacon steady-on lights with horns are designed to provide a bright visual indication utilizing special optics within a shatter resistant polycarbonate lens. The polycarbonate lens ensures efficient light dispersion. And, with no moving parts, the lights are immune to shock and vibration. Lenses available in six colors: red, amber, blue, green, magenta and clear. Unique base design allows sound audibility while maintaining the unit's weatherproof integrity.

Designed for indoor or outdoor installation. May be direct, 1/2" (13mm) conduit, or box mounted on a 4" (102mm) octagon box. For weatherproof installation, units must be mounted vertically with lens facing up. May be corner mounted indoors using the Cat.No. CBR, corner mount bracket, or wall mounted indoors using the Cat.No. WBR, wall mount bracket. For additional protection against breakage, use Cat. No. 92-GRD lens guard. See AdaptaBeacon Accessories, page 3-118.

Edwards steady-on lights with horns can advise personnel in manufacturing and process areas when an operation is starting or stopping. Usually used for signaling equipment malfunctions, security intrusions, or pinpointing problem locations. Can warn personnel that they are entering a restricted area or an area of high danger. May be used where a smaller light output is desired or where many multiple smaller flashing lights are specified.



TECHNICAL INFORMATION



Cat. No.	Lens Color	Repl. Lens	Lamp Ratings	Repl. Horn	Repl. Flasher	Repl. Lamp	Lamp Life**
51SINR-G1	Red	92-LR	24V DC	P-047570-0743	P-041917-0029	Industry Trade	3180 Hours
51SINA-G1	Amber	92-LA	0.80A			No. 1638	
51SINB-G1	Blue	92-LB	5049 candlepower				
51SING-G1	Green	92-LG	402 Lumens*				
51SINM-G1	Magenta	92-LM					
51SINC-G1	Clear	92-LC					
51SINR-N5-40W	Red	92-LR	120V 50/60 Hz	123A-N5	P-041917-0026	50LMP-40W	3,920 Hours
51SINA-N5-40W	Amber	92-LA	0.29A			or	
51SINB-N5-40W	Blue	92-LB	3341 candlepower			Industry Trade	
51SING-N5-40W	Green	92-LG	266 Lumens*			25T8DC	
51SINM-N5-40W	Magenta	92-LM					
51SINC-N5-40W	Clear	92-LC					

* Bulb manufacturer's Lumen Rating

** Projected lamp life based on manufacturer's calculated lamp life at 65 FPM and 50% duty cycle.

SIGNAL INPUT LOAD CHARACTERISTICS*

Cat. No.	Operating Voltage	Max. off state leakage current (mA)	Continuous on Current (mA)	Surge (inrush/duration) Amps/milliseconds
51SIN()-G1	24V DC	25	1100	.9/1
51SIN()-N5-40W	120V AC 60 Hz	25	350	.47/8

*This device is PLC compatible and may be operated by PLCs with output characteristics that match the input load requirements of this signal.